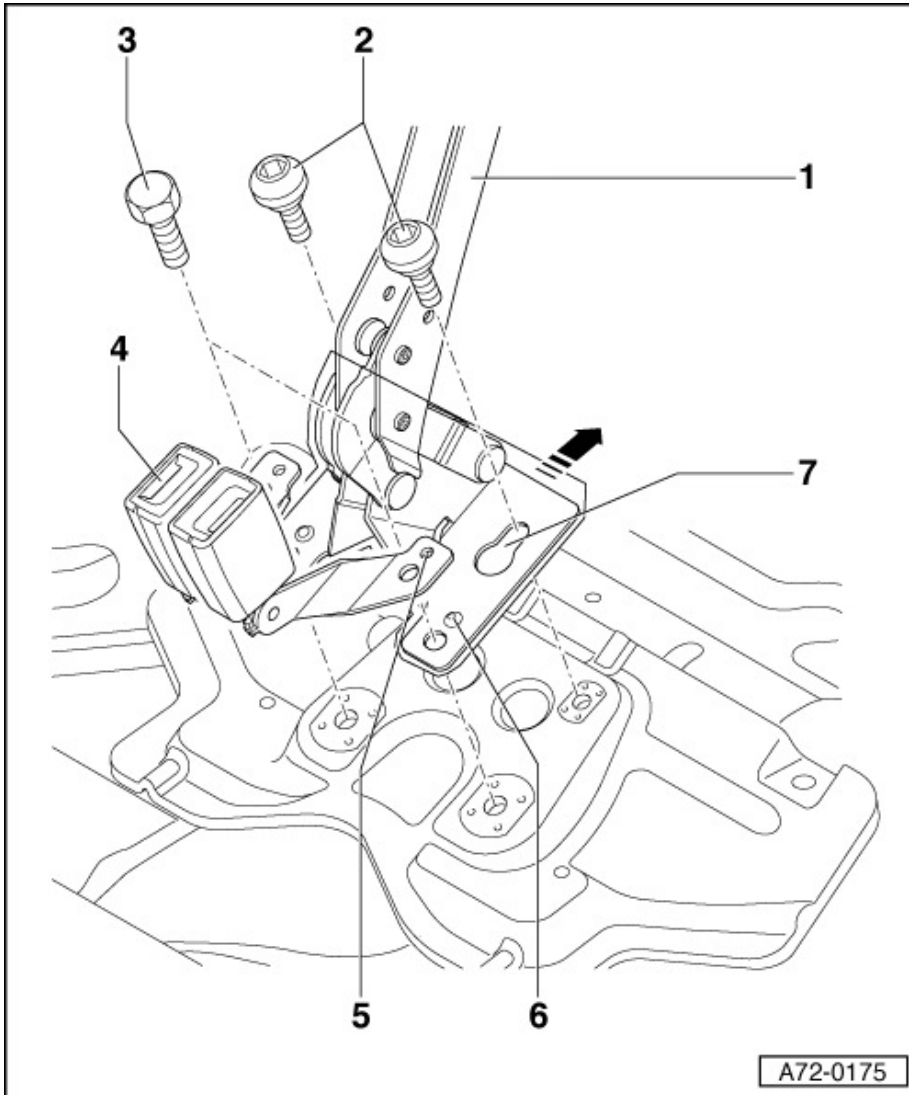


## Unfastening centre support bracket



1 - Centre support bracket

t Removing

– Remove rear seat bench → [Chapter](#).

– Unscrew bolts -3- (2x).

– Detach belt buckle -4- (2x).

– Bolts -2- need not be unscrewed.

t Installing

– When fitting belt buckles -4-, make sure mounts -5- are positioned on retainer tabs -6-.

2 - Bolts (2x)

q Tightening torque 19 Nm

3 - Bolts (2x)

q Tightening torque 55 Nm

4 - Buckle

5 - Mount

6 - Retainer tab

7 - Elongated hole

